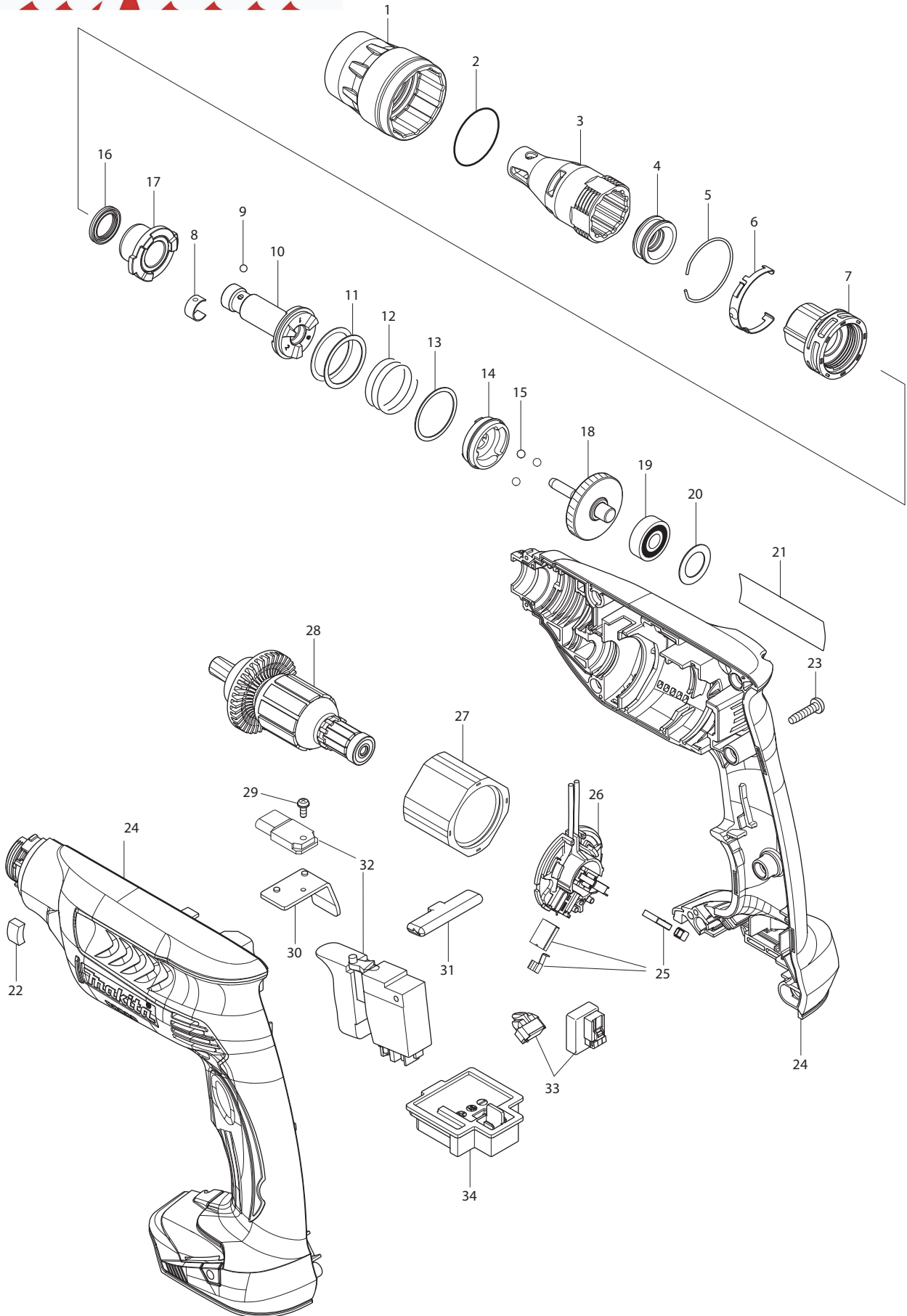




11 - 2013  
DFS451RFE, DFS451Z, DFS451F  
18V DRYWALL SCREWDRIVER



| Item No | Type  | Ref  | Part No  | Description                           | Qty | Unit |
|---------|-------|------|----------|---------------------------------------|-----|------|
| 001     | 2     |      | 455591-0 | LOCK RING                             | 1   | PC.  |
| 002     |       |      | 424235-3 | SEAL RING 30                          | 1   | PC.  |
| 003     |       |      | 158876-0 | LOCATOR L COMPLETE                    | 1   | PC.  |
|         | Opt 2 |      | 197024-6 | LOCATOR L ASSEMBLY                    | 1   | PC.  |
|         |       | INC. |          | Item No. 1, 2 , 3, 4                  |     |      |
| 004     |       |      | 424163-2 | DUST SEAL SLEEVE                      | 1   | PC.  |
| 005     |       |      | 234266-2 | RING SPRING 33                        | 1   | PC.  |
| 006     |       |      | 232245-4 | LEAF SPRING                           | 1   | PC.  |
| 007     |       |      | 141100-8 | LOCATOR BASE COMPLETE                 | 1   | PC.  |
| 008     |       |      | 232050-9 | LEAF SPRING                           | 1   | PC.  |
| 009     |       |      | 216001-0 | STEEL BALL 3.5                        | 1   | PC.  |
| 010     |       |      | 140771-8 | SPINDLE 125S COMPLETE                 | 1   | PC.  |
| 011     |       |      | 267331-2 | FLAT WASHER 25                        | 2   | PC.  |
| 012     |       |      | 234017-3 | COMPRESSEION SPRING 25                | 1   | PC.  |
| 013     |       |      | 267332-0 | FLAT WASHER 26                        | 1   | PC.  |
| 014     |       |      | 223170-0 | CLUTCH CAM 125S                       | 1   | PC.  |
| 015     |       |      | 216008-6 | STEEL BALL 4                          | 3   | PC.  |
| 016     |       |      | 213184-7 | X-RING 14                             | 1   | PC.  |
| 017     |       |      | 142306-1 | BEARING COMPLETE                      | 1   | PC.  |
| 018     |       |      | 140772-6 | GEAR COMPLETE                         | 1   | PC.  |
| 019     | 2     |      | 210029-0 | BALL BEARING 608ZZ                    | 1   | PC.  |
| 020     |       |      | 253192-6 | FLAT WASHER 14                        | 1   | PC.  |
| 021     |       |      | 815G48-9 | NAME PLATE F/DFS451                   | 1   | PC.  |
| 022     |       |      | 423413-2 | RUBBER PLATE                          | 1   | PC.  |
| 023     | 2     |      | 265A48-7 | TAPPING SCREW 4X18                    | 7   | PC.  |
| 024     |       |      | 187854-3 | HOUSING SET                           | 1   | SET  |
|         |       | INC. | 263005-3 | RUBBER PIN 6                          | 2   | PC.  |
|         |       | INC. | 802Y67-2 | CAUTION LABEL                         | 1   | PC.  |
| 025     |       |      | 195021-6 | CARBON BRUSH CB-440 2PC/SET W/ ORIGIN | 1   | SET  |
| 026     |       |      | 638748-0 | BRUSH HOLDER COMPLETE                 | 1   | PC.  |
| 027     |       |      | 638426-2 | YOKE UNIT                             | 1   | PC.  |
| 028     | 2     |      | 619351-6 | * ARMATURE                            | 1   | PC.  |
| 029     |       |      | 911006-2 | PAN HEAD SCREW M3X8                   | 1   | PC.  |
| 030     |       |      | 689150-0 | HEAT SINK                             | 1   | PC.  |
| 031     |       |      | 452516-5 | F/R CHANGE LEVER                      | 1   | PC.  |
| 032     |       |      | 650657-3 | SWITCH TG553FSB-9B                    | 1   | PC.  |
| 033     |       |      | 620030-1 | LIGHT CIRCUIT                         | 1   | PC.  |
| 034     |       |      | 643852-2 | TERMINAL                              | 1   | PC.  |
| 036     |       |      | 892812-3 | CLEAR LABEL                           | 1   | PC.  |
| 037E    |       |      | 267104-3 | FLAT WASHER 12                        | 1   | PC.  |
| 100     |       |      | 266622-8 | + TRUSS HEAD SCREW M4X12 (F/Hook)     | 1   | PC.  |
| 101     |       |      | 652045-0 | + PAN HEAD SCREW M3.5X5 (F/Switch)    | 2   | PC.  |

#### **ACCESSORIES**

- See catalogue or visit [www.makita.ca](http://www.makita.ca) for more accessories -

|     |  |  |          |                                       |   |     |
|-----|--|--|----------|---------------------------------------|---|-----|
| A01 |  |  | -----    | LI-ION BATTERY ACCESSORIES            |   |     |
| A02 |  |  | 346449-3 | HOOK                                  | 1 | PC. |
| A03 |  |  | 784261-7 | + BIT 2-25                            | 2 | PC. |
|     |  |  | B-24125  | DRIVER BIT PH2 1" 3/SET               | 1 | SET |
|     |  |  | B-24935  | DRIVER BIT PH2 1" 100/SET IN JAR      | 1 | SET |
|     |  |  | B-25018  | DRIVER BIT PH2 1" 100/SET IN BAG      | 1 | SET |
|     |  |  | A-96469  | IMPACTX BIT PH2 1" 2/SET              | 1 | SET |
|     |  |  | A-96475  | IMPACTX BIT PH2 1" 50/SET IN BAG      | 1 | SET |
| A04 |  |  | 784801-1 | MAGNETIC BIT HOLDER 6.35-76           | 1 | PC. |
|     |  |  | A-96942  | IMPACTX MAGNETIC BIT HOLDER 3"        | 1 | PC. |
|     |  |  | A-96992  | IMPACTX MAGNETIC BIT HOLDER 3"        | 1 | PC. |
|     |  |  | A-99281  | IMPACTX MAGNETIC BIT HOLDER 3" 10/SET | 1 | SET |

| Item No | Type | Ref  | Part No  | Description   | Qty | Unit |
|---------|------|------|----------|---|-----|------|
|         |      |      | A-99312  | IMPACTX MAGNETIC BIT HOLDER 3" 10/SET               | 1   | SET  |
| A05     |      |      | 784807-9 | MAGNETIC BIT HOLDER 6.35-60                         | 1   | PC.  |
|         |      |      | B-52451  | MAGNETIC BIT HOLDER 2-3/8"                          | 1   | PC.  |
|         |      |      | A-96920  | IMPACTX MAGNETIC BIT HOLDER 2-3/8"                  | 1   | PC.  |
|         |      |      | A-96970  | IMPACTX 1PC MAGNETIC BIT HOLDER 2-3/8"              | 1   | PC.  |
|         |      |      | A-96936  | IMPACTX MAGNETIC BIT HOLDER 2-3/8"                  | 1   | PC.  |
|         |      |      | A-96986  | IMPACTX 1PC MAGNETIC BIT HOLDER 2-3/8" 10/SE IN BAG | 1   | SET  |
| A06     |      |      | B-45076  | MAGNETIC NUTSETTER 1/4"                             | 1   | PC.  |
|         |      |      | A-97112  | IMPACTX MAGNETIC NUTSETTER 1/4"                     | 1   | PC.  |
|         |      |      | A-97128  | IMPACTX MAGNETIC NUTSETTER 1/4" 10/SE IN BAG        | 1   | PC.  |
| A07     |      |      | B-45082  | MAGNETIC NUTSETTER 5/16"                            | 1   | PC.  |
|         |      |      | A-97162  | IMPACTX MAGNETIC NUTSETTER 5/16"                    | 1   | PC.  |
|         |      |      | A-97178  | IMPACTX MAGNETIC NUTSETTER 5/16" 10/SE IN BAG       | 1   | SET  |
| A08     |      |      | B-45098  | MAGNETIC NUTSETTER 3/8"                             | 1   | PC.  |
|         |      |      | A-97215  | IMPACTX MAGNETIC NUTSETTER 3/8"                     | 1   | PC.  |
|         |      |      | A-97221  | IMPACTX MAGNETIC NUTSETTER 3/8" 10/SE IN BAG        | 1   | SET  |
| A09     |      |      | B-45107  | MAGNETIC NUTSETTER 7/16"                            | 1   | PC.  |
|         |      |      | A-97259  | IMPACTX MAGNETIC NUTSETTER 7/16"                    | 1   | PC.  |
|         |      |      | A-99493  | IMPACTX MAGNETIC NUTSETTER 7/16 10/SE IN BAG        | 1   | SET  |
| A10     |      |      | 141490-9 | PLASTIC CARRYING CASE COMPLETE                      | 1   | PC.  |
|         |      | INC. | 162315-4 | LATCH   | 2   | PC.  |
|         |      | INC. | 452137-3 | HANDLE  | 1   | PC.  |
| A11     |      |      | -----    | BATTERY CHARGER                                     |     |      |
| A12     |      |      | -----    | 18V LI-ION BATTERY                                  |     |      |

**SERVICE CHANGES**

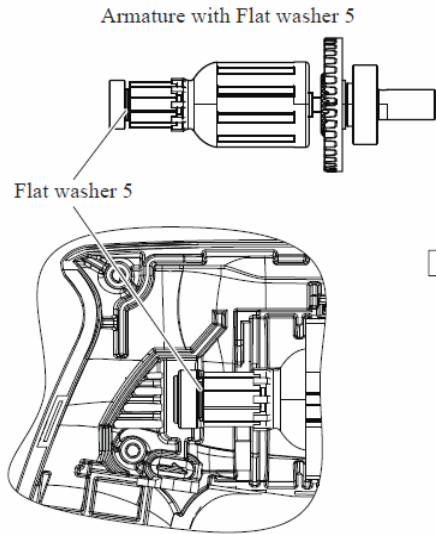
**1. Changes on Gear Case Assembly**

(TI#A3411)

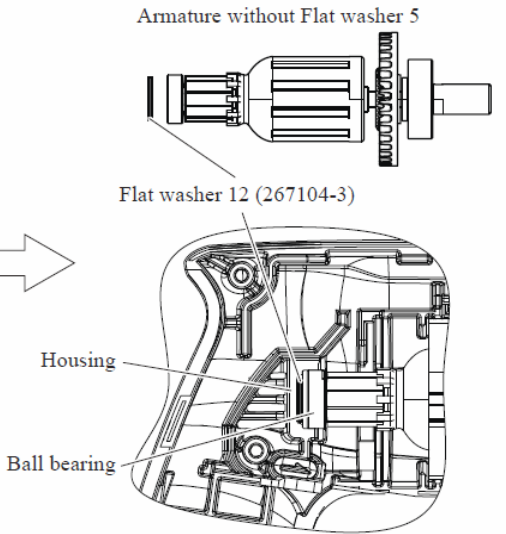
| Item No. | Description    | Type 1   | Type 2   |
|----------|----------------|----------|----------|
| 28       | Armature       | 619277-2 | 619351-6 |
| 37       | Flat washer 12 | -----    | 267104-3 |

Above parts are completely interchangeable as a set.

Type 1



Type 2



Set Flat washer 12 between Ball bearing of Armature and Housing as shown above.